

CWTF35-APS w/Gourmet Funnel

Height: 24.1" (61.2cm) Width: 9.0" (22.9cm) Depth: 21.5" (54.6cm)



- Models are space saving 9" wide (22.9cm)
- All stainless steel construction
- Hot water faucet (requires active plumbing connection)
- Pourover feature
- SplashGard® funnel deflects hot liquids away from the hand
- Accommodates 1.9 to 3L airpots
- Airpots are easily transported to remote meeting rooms, breakfast bars, etc
- Servers not included unless otherwise noted

Server(s) sold separately

Agency:



Specifications

Product #: 23001.0052

Faucet: Upper

Water Access: Plumbed

Finish: Stainless

Funnel: Gourmet Funnel

Additional Features

Electrical & Capacity

Volts*	Amps	Watts	Cord Attached	Plug Type	8oz cups/hr 236ml cups/hr	Input H ₂ O Temp.	Phase	# Wires plus Ground	Hertz
120/208-240	14.9	3550	No	-	120	60°F (15.5°C)	1	3	60

*When a BUNN is machine rated 120/208-240V, 120/208V or 120/240V, the higher voltage is the supply voltage needed to power the machine. The 120V is there to supply power to some components rated 120V in the machine, but it is not the supply voltage and would not power the machine if the machine is marked with the before mentioned ratings.

Plumbing Requirements

PSI	kPa	Fitting Supplied	Water Flow Required (GPM)
20-90	138-621	1/4" Male Flare Fitting	-

CAD Drawings

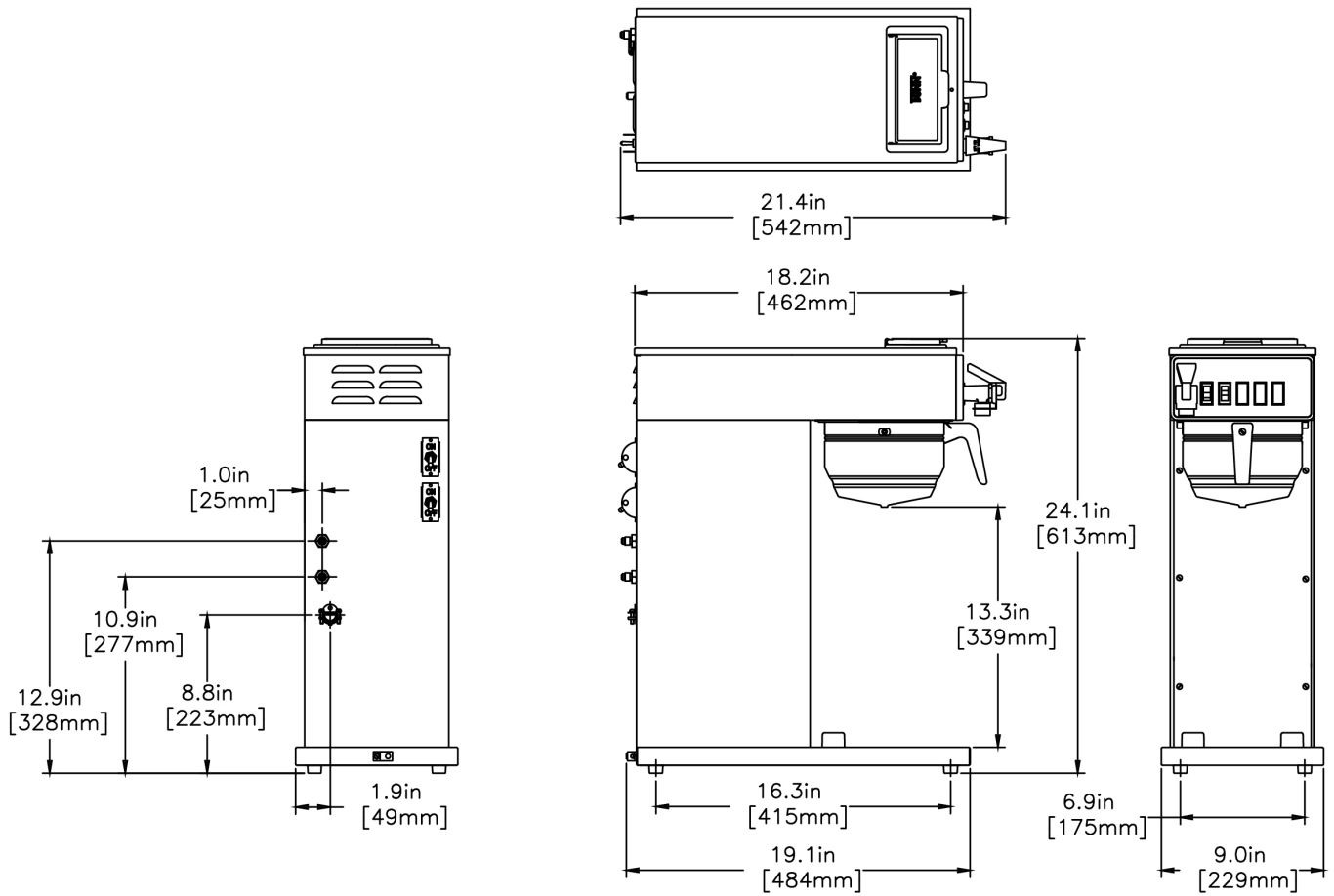
2D	Revit	KLC
●		

WARNING:



BUNN® reserves the right to change specifications and product design without notice. Such revisions do not entitle the buyer to corresponding changes, improvements, additions or replacements for previously purchased equipment. For most current specifications and other info visit bunn.com.

Last Updated:
07/13/2022



	Unit			Shipping				
	Height	Width	Depth	Height	Width	Depth	Weight	Volume
English	24.1 in.	9.0 in.	21.5 in.	29.0 in.	11.9 in.	25.8 in.	38.550 lbs	5.145 ft ³
Metric	61.2 cm	22.9 cm	54.6 cm	73.7 cm	30.2 cm	65.6 cm	17.486 kgs	0.146 m ³



BUNN® reserves the right to change specifications and product design without notice. Such revisions do not entitle the buyer to corresponding changes, improvements, additions or replacements for previously purchased equipment. For most current specifications and other info visit bunn.com.

Last Updated:
07/13/2022

Related Products & Accessories: CWTF35-APS w/Gourmet Funnel(23001.0052)



FUNNEL W/DECAL,PPK
NAR BLK(SM)

Product #: 02774.0011



FUNNEL W/DECAL,PPK
NAR BLK(LG)

Product #: 04274.0012



FILTERS,C GOURMET
500/2 50/CL

Product #: 20157.0001



FUNNEL ASSY, SST-BLK
HDL(7.12)

Product #: 20216.0000



FUNNEL ASSY, SST-PP
BLK HDL

Product #: 29151.0000



FUNNEL ASSY,SST-PP
ORANGE HDL

Product #: 29151.0001



WATER FILTER
SYSTEM,EQ-17-TL

Product #: 30200.1000



WATER FILTER,IN LINE
ED-17-TL

Product #: 30201.1001



FUNNEL AY,W/DECAL
GRT "C"7.12

Product #: 34559.0000



SYSTEM, WEQ-10(1.5)5L

Product #: 56000.0024



CARTRIDGE, WEQ-10
(1.5)5L

Product #: 56000.0121



CARTRIDGE, WEQ-10.3
(1.67)5L

Product #: 56000.0137



BUNN® reserves the right to change specifications and product design without notice. Such revisions do not entitle the buyer to corresponding changes, improvements, additions or replacements for previously purchased equipment. For most current specifications and other info visit bunn.com.

Last Updated:
07/13/2022

Serving & Holding Options: CWTF35-APS w/Gourmet Funnel(23001.0052)



AIRPOT, 2.5L GL PB
SINGLE PK

Product #:13041.0001



AIRPOT, 2.5L GL PB 6/
CASE

Product #:13041.0101



AIRPOT, 2.2L GL PB
SINGLE PK

Product #:28696.0002

NO IMAGE
AVAILABLE

AIRPOT, 2.2L GL PB 6/
CASE

Product #:28696.0006



AIRPOT, 2.5L SST LA
SINGLE PK

Product #:32125.0000



AIRPOT, 2.5L SST LA 6/
CASE

Product #:32125.0100



AIRPOT, 3.0L SST LA
SINGLE PK

Product #:32130.0000



AIRPOT, 3.0L SST LA 6/
CASE

Product #:32130.0100



AIRPOT, 2.2L GL LA 6/
CASE

Product #:32700.0000



AIRPOT, 3.8L SST LA
SINGLE PK

Product #:36725.0000



AIRPOT, 3.8L SST LA 6/
CASE

Product #:36725.0100



AIRPOT, 2.2L SST LA
SINGLE PK

Product #:44311.0000



BUNN® reserves the right to change specifications and product design without notice. Such revisions do not entitle the buyer to corresponding changes, improvements, additions or replacements for previously purchased equipment. For most current specifications and other info visit bunn.com.

Last Updated:
07/13/2022